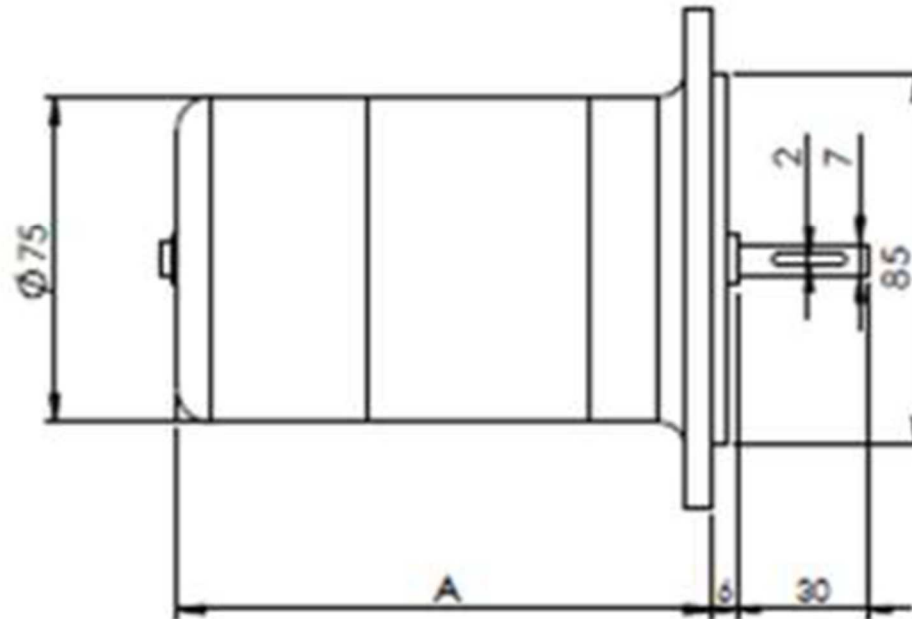
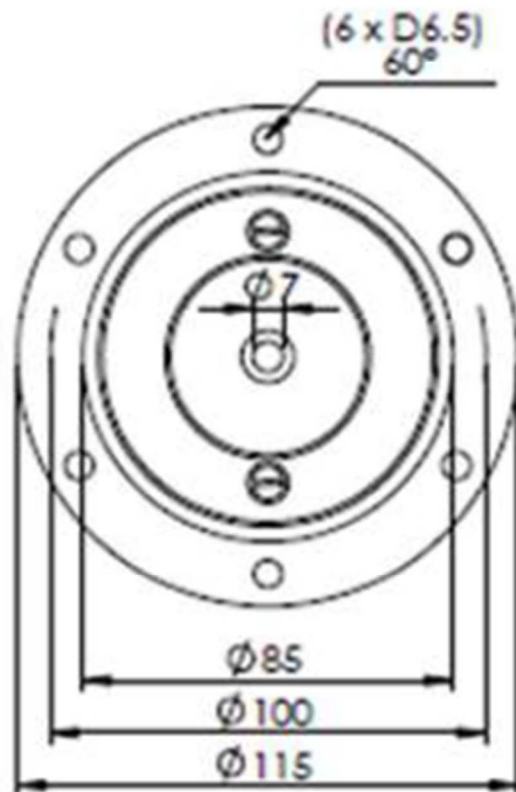


# MOD. REO444N

## Flange mounting – B5



	Shaft diameter	1 commutator	2 commutators
<b>A</b>	$\varnothing$ 7 mm	126 mm	142 mm
	$\varnothing$ 11 mm	131 mm	
	$\varnothing$ 14 mm	128 mm	
<b>B</b>	$\varnothing$ 7 mm	132 mm	148 mm
	$\varnothing$ 11 mm	137 mm	
	$\varnothing$ 14 mm	141 mm	
<b>C</b>	$\varnothing$ 7 mm	14,5 mm	30 mm
	$\varnothing$ 11 mm	17,5 mm	
	$\varnothing$ 14 mm	21,5 mm	