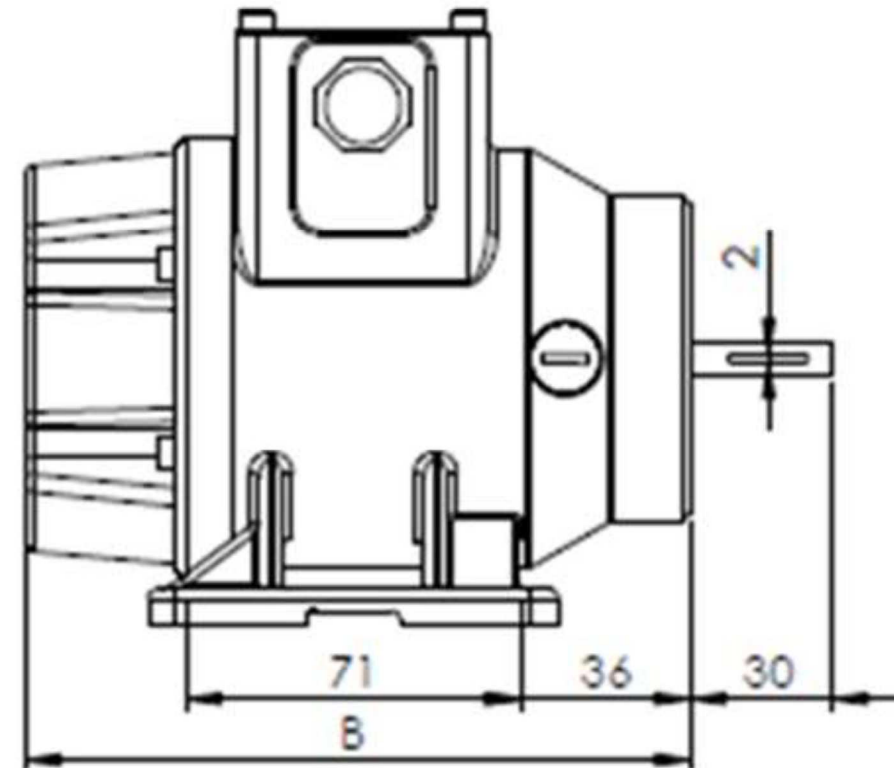
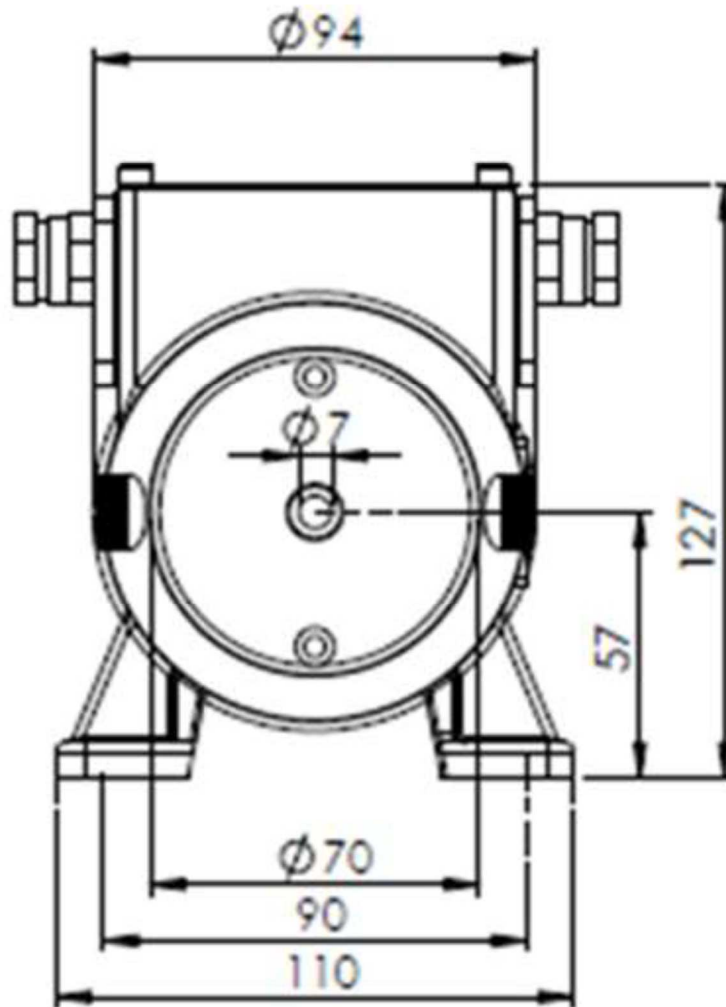


MOD. REO444R – B3 Foot



	1 commutator	2 commutators
B	142 mm	161 mm