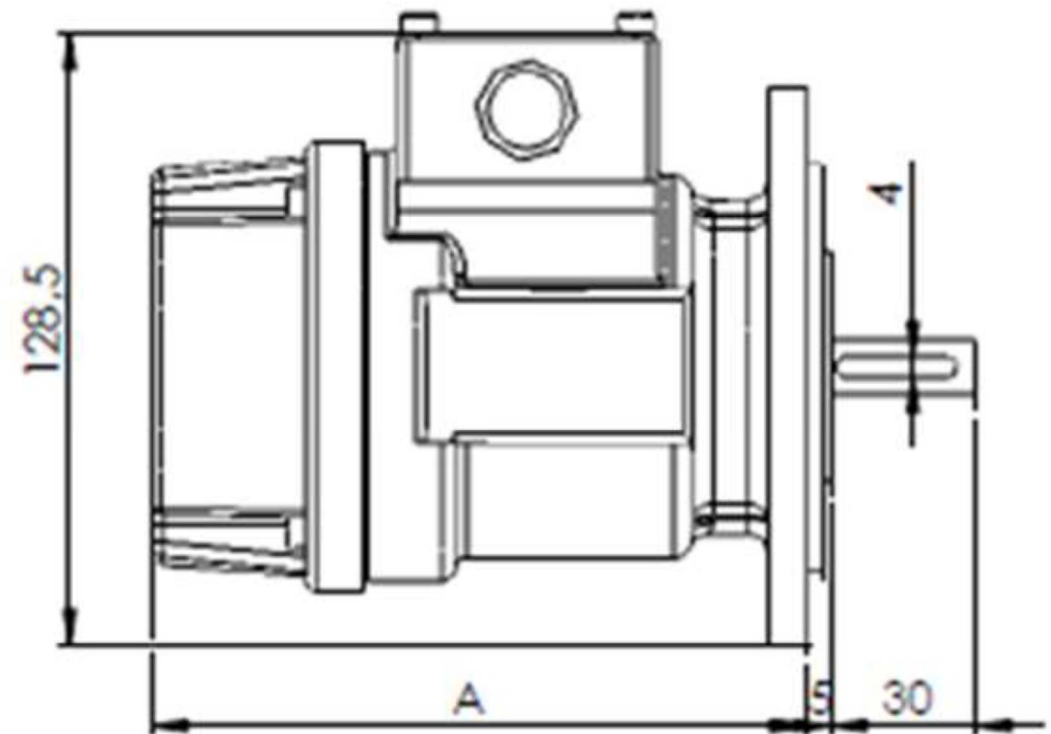
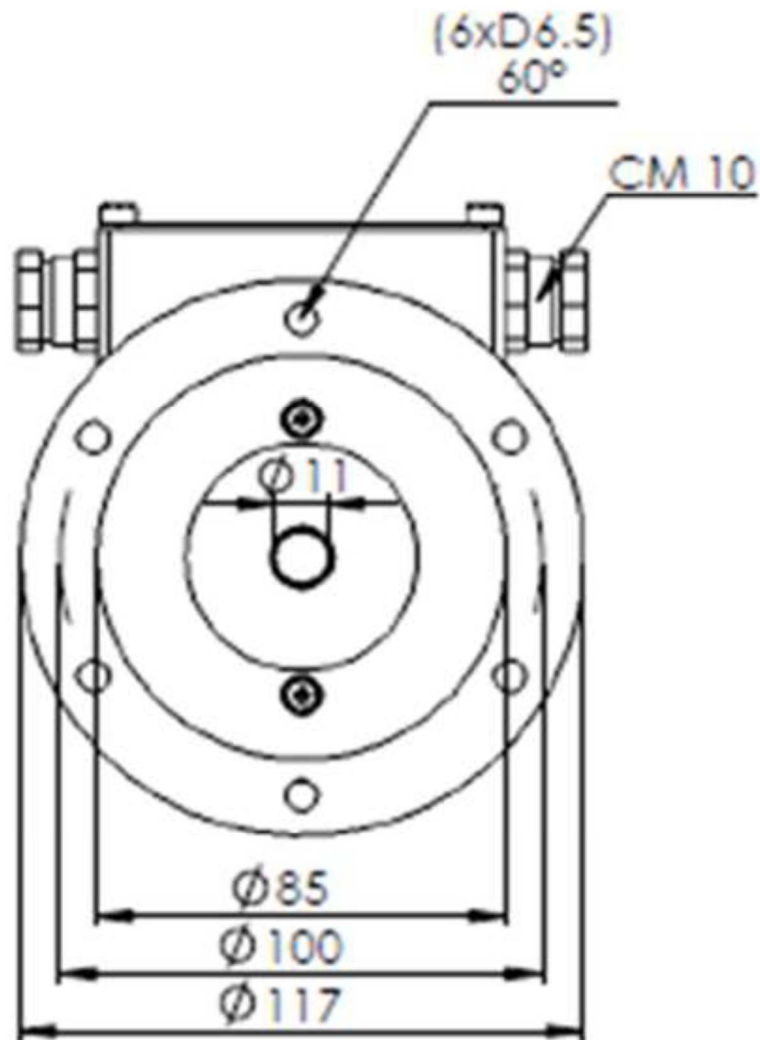


MOD. REO444R - B5 flange



	1 commutator	2 commutators
A	136 mm	155 mm