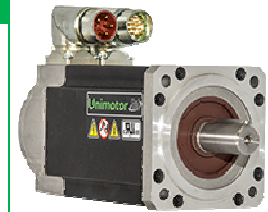


SERVO MOTOR 089UDA300BAECA



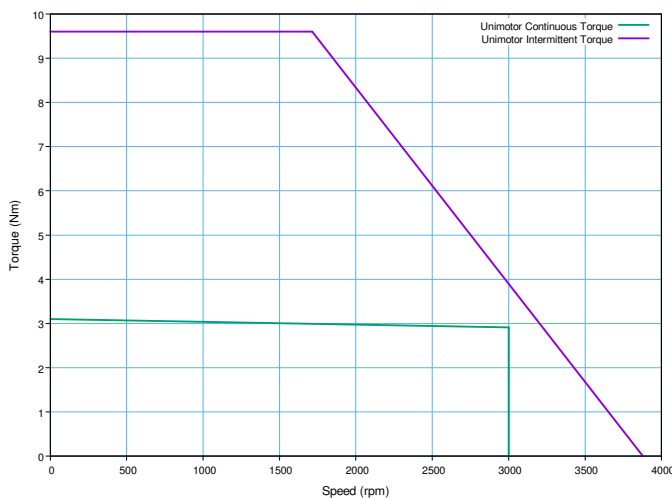
Definition

| | | |
|----------------------|----------------------|---|
| Type | Unimotor HD | |
| Frame Size (mm) | 089 | |
| Voltage | U | U - 400V |
| Magnet type | D | D - High dynamic |
| Frame Length | A | |
| Speed (min-1) | 30 | 3000 |
| Brake | 0 | Unbraked (0) |
| Connection type | B | B - Power and Signal 90° rotatable |
| Output shaft | A | Key |
| Feedback device code | EC | EC - Inductive EnDat SinCos Multi-Turn (EQI 1331) |
| Inertia & thermistor | A | A - Standard |
| PCD | 100 | 100 (FF 100 / 80) |
| Shaft Diameter | 190 | 19j6 x 40,0 . |
| Fan box | - | |
| Classe d'isolation | F | |
| UL Motor / UL Stator | UL Motor / UL Stator | |

Nominal characteristics

| | | | |
|-----------------------------------|------|--------------------------------------|-------|
| Motor Ambient Temperature (°C) | 40 | Drive Fsw (kHz) | 12 |
| Motor Stall Torque (N.m) | 3,20 | Stall Current (A) | 2,00 |
| Rated Torque (N.m) | 3,00 | Rated Current (A) | 1,88 |
| Motor Peak Torque (N.m) | 9,60 | Peak Current for Drive Selection (A) | 6,00 |
| Rated Power (kW) | 0,94 | Kt (Nm/A) | 1,60 |
| Winding Thermal Time Constant (s) | 85 | Ke (V/kmin-1) | 98,00 |
| Number of Poles | 10 | R (ph-ph) (Ohm) | 10,80 |
| Maximum Cogging (N.m) | 0.05 | L (ph-ph) (mH) | 66,80 |
| Inertia (kg.cm ²) | 0,87 | Peso del prodotto | 3,63 |
| Ingress Protection Level (IP) | IP65 | | |

Torque / speed graph

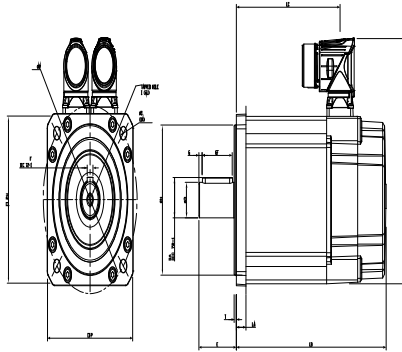


Configured characteristics

| | |
|---|------|
| Motor Ambient Temperature (°C) | 40 |
| Drive Fsw (kHz) | 8 |
| Derating Factor | 0,97 |
| Stall Torque with Derating Factor (N.m) | 3,10 |
| Nominal Torque after Derating (N.m) | 2,91 |
| Peak Torque with Derating Factor (N.m) | 9,60 |

SERVO MOTOR 089UDA300BAECA - Unimotor HD 089UDA300BAECA

Motor (° & mm)



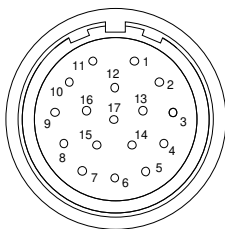
| | | |
|-----|--------------------------------|--------|
| LB | Total length | 147,80 |
| LB1 | | |
| LC | Power connector position | 110,50 |
| LJ | | |
| LA | Flange thickness | 10,3 |
| T | Register Length | 2,2 |
| N | Register Diameter | 80,0 |
| LD | Power connector overall height | 130,50 |
| LD1 | | |
| P | Flange Square | 91,0 |
| S | Fixing Hole Diameter | 7,0 |
| M | Fixing hole PCD | 100 |
| PH | Motor Housing Width | 89 |
| D | Shaft Diameter | 19,6 |
| E | Shaft Length | 40,0 |
| GA | Key Height | 21,5 |
| GF | Key Length | 32,0 |
| G | Key to Shaft End | 3,7 |
| F | Key Width | 6 |
| I | Tapped Hole Thread Size | M6x1 |
| J | Tapped Hole Depth | 17,0 |
| | Mounting Bolt | M6 |

Motor electrical interface

Feedback device code : EC - Inductive EnDat SinCos Multi-Turn (EQI 1331)

Connection type :
Section des fils :

B - Power and Signal 90° rotatable
4G1



| | |
|------------|-------------|
| 1 - CTP | 10 - COS |
| 2 - CTP | 11 - DATA |
| 3 - Screen | 12 - DATA / |
| - | 13 - COS / |
| - | 14 - SIN |
| - | 15 - SIN / |
| - | 16 - Power |
| 8 - CLK | 17 - 0V |
| 9 - CLK / | Screen |

U - Phase U
V - Phase V
W - Phase W
Screen

B+ Brake +
B- Brake -

