

SERVO MOTOR 089UDC300BACAA



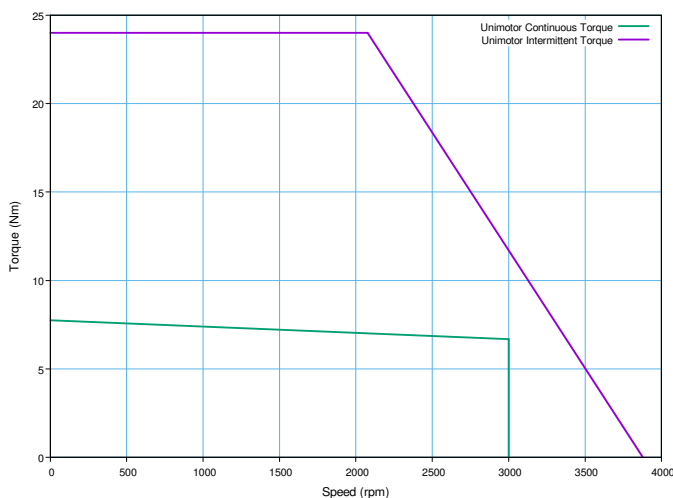
Definition

Type	Unimotor HD	
Frame Size (mm)	089	
Voltage	U	U - 400V
Magnet type	D	D - High dynamic
Frame Length	C	
Speed (min-1)	30	3000
Brake	0	Unbraked (0)
Connection type	B	B - Power and Signal 90° rotatable
Output shaft	A	Key
Feedback device code	CA	CA - 4096 ppr Incremental encoder (CFS50)
Inertia & thermistor	A	A - Standard
PCD	100	100 (FF 100 / 80)
Shaft Diameter	190	19j6 x 40,0 .
Fan box	-	
Classe d'isolation	F	
UL Motor / UL Stator	UL Motor / UL Stator	

Nominal characteristics

Motor Ambient Temperature (°C)	40	Drive Fsw (kHz)	12
Motor Stall Torque (N.m)	8,00	Stall Current (A)	5,00
Rated Torque (N.m)	6,90	Rated Current (A)	4,31
Motor Peak Torque (N.m)	24,00	Peak Current for Drive Selection (A)	15,00
Rated Power (kW)	2,17	Kt (Nm/A)	1,60
Winding Thermal Time Constant (s)	98	Ke (V/kmin-1)	98,00
Number of Poles	10	R (ph-ph) (Ohm)	2,79
Maximum Cogging (N.m)	0,12	L (ph-ph) (mH)	21,70
Inertia (kg.cm ²)	2,34	Peso del prodotto	5,86
Ingress Protection Level (IP)	IP65		

Torque / speed graph

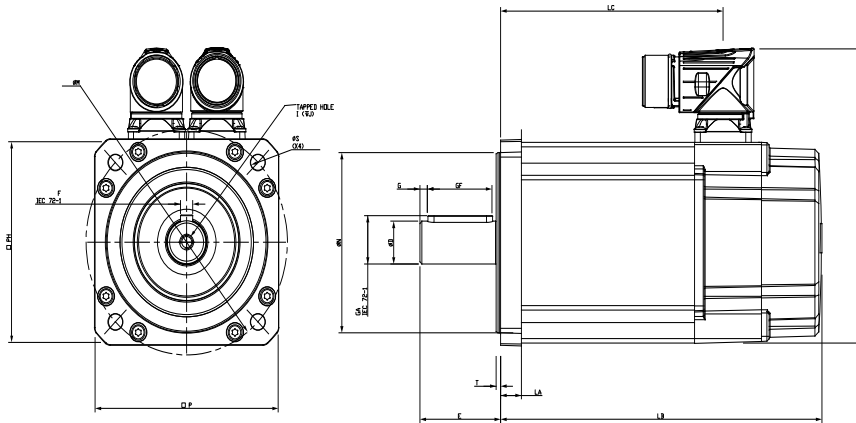


Configured characteristics

Motor Ambient Temperature (°C)	40
Drive Fsw (kHz)	8
Derating Factor	0,97
Stall Torque with Derating Factor (N.m)	7,76
Nominal Torque after Derating (N.m)	6,69
Peak Torque with Derating Factor (N.m)	24,00

SERVO MOTOR 089UDC300BACAA - Unimotor HD 089UDC300BACAA

Motor (° & mm)



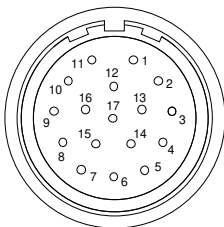
LB	Total length	220,80
LB1		
LC	Power connector position	170,50
LJ		
LA	Flange thickness	10,3
T	Register Length	2,2
N	Register Diameter	80,0
LD	Power connector overall height	130,50
LD1		
P	Flange Square	91,0
S	Fixing Hole Diameter	7,0
M	Fixing hole PCD	100
PH	Motor Housing Width	89
D	Shaft Diameter	19,6
E	Shaft Length	40,0
GA	Key Height	21,5
GF	Key Length	32,0
G	Key to Shaft End	3,7
F	Key Width	6
I	Tapped Hole Thread Size	M6x1
J	Tapped Hole Depth	17,0
	Mounting Bolt	M6

Motor electrical interface

Feedback device code : CA - 4096 ppr Incremental encoder (CFS50)

Connection type :
Section des fils :

B - Power and Signal 90° rotatable
4G1



- | | |
|----------|--------------|
| 1 - CTP | 10 - A |
| 2 - CTP | 11 - Index |
| 3 - | 12 - Index / |
| 4 - S1 | 13 - A / |
| 5 - S1 / | 14 - B |
| 6 - S2 | 15 - B / |
| 7 - S2 / | 16 - Power |
| 8 - S3 | 17 - 0V |
| 9 - S3 / | Screen |

- U - Phase U
V - Phase V
W - Phase W
Screen

- B+ - Brake +
B- - Brake -

