

SERVO MOTOR 142UDC305DAFFC



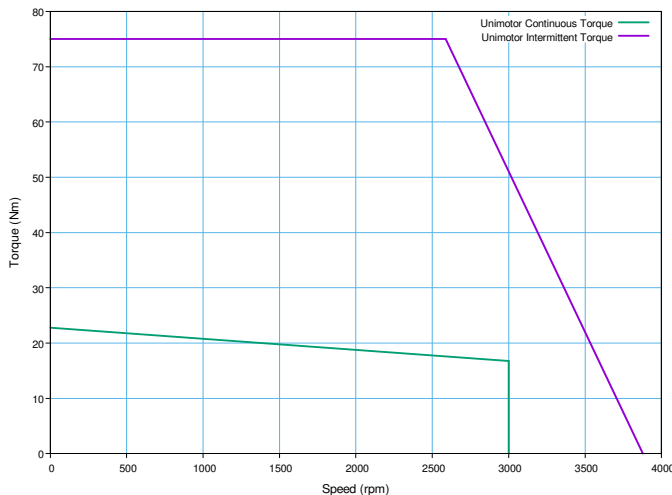
Definition

Type	Unimotor HD	
Frame Size (mm)	142	
Voltage	U	U - 400V
Magnet type	D	D - High dynamic
Frame Length	C	
Speed (min-1)	30	3000
Brake	5	Braked (5)
Connection type	D	D - Single cable, power & signal combined 90° rotatable
Output shaft	A	Key
Feedback device code	FF	FF - Inductive EnDat SinCos Single Turn (ECI 1319 FS)
Inertia & thermistor	C	C - Standard inertia and KTY thermistor
PCD	165	165 (FF 165 / 130)
Shaft Diameter	320	32k6 x 58,0 .
Fan box	-	
Classe d'isolation	F	
UL Motor / UL Stator	- / UL Stator	

Nominal characteristics

Motor Ambient Temperature (°C)	40	Drive Fsw (kHz)	12
Motor Stall Torque (N.m)	25,00	Stall Current (A)	15,63
Rated Torque (N.m)	18,40	Rated Current (A)	11,5
Motor Peak Torque (N.m)	75,00	Peak Current for Drive Selection (A)	46,88
Rated Power (kW)	5,78	Kt (Nm/A)	1,60
Winding Thermal Time Constant (s)	245	Ke (V/kmin-1)	98,00
Number of Poles	10	R (ph-ph) (Ohm)	0,34
Maximum Cogging (N.m)	0,38	L (ph-ph) (mH)	5,30
Inertia (kg.cm ²)	18,85	Peso del prodotto	16,05
Ingress Protection Level (IP)	IP65		
Brake	Braked (5)	Static Torque (N.m)	38,0
Release Time (ms)	95	Backlash (°)	0,77
Brake Supply Voltage (V)	24	Brake Coil Power (W)	25,0

Torque / speed graph

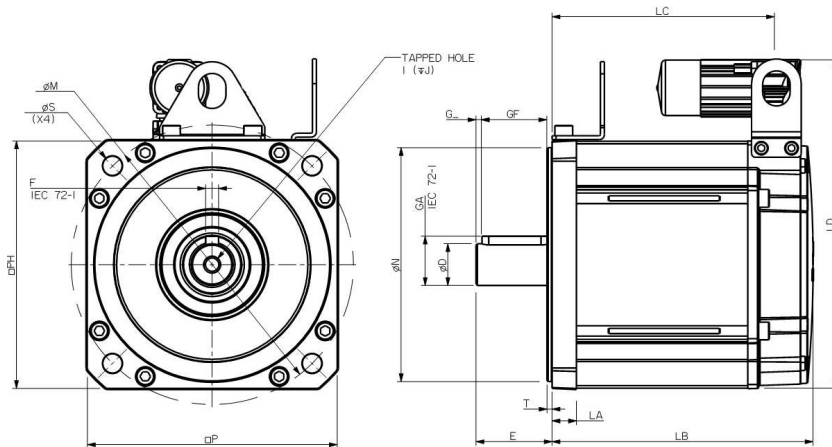


Configured characteristics

Motor Ambient Temperature (°C)	40
Drive Fsw (kHz)	8
Derating Factor	0,91
Stall Torque with Derating Factor (N.m)	22,75
Nominal Torque after Derating (N.m)	16,74
Peak Torque with Derating Factor (N.m)	75,00

SERVO MOTOR 142UDC305DAFFC - Unimotor HD 142UDC305DAFFC

Motor (° & mm)



LB	Total length	282,80
LB1	Register Length	248,00
LC	Power connector position	248,00
LJ	Flange thickness	14,0
LA	Register Length	3,4
T	Register Diameter	130,0
N	Power connector overall height	184,80
LD	Flange Square	142,0
LD1	Fixing Hole Diameter	12,0
P	Fixing hole PCD	165
S	Motor Housing Width	142
M	Shaft Diameter	32k6
PH	Shaft Length	58,0
D	Key Height	35,0
E	Key Length	50,0
GA	Key to Shaft End	3,0
GF	Key Width	10
G	Tapped Hole Thread Size	M12x1,75
F	Tapped Hole Depth	29,0
I	Mounting Bolt	M10

Motor electrical interface

Feedback device code : FF - Inductive EnDat SinCos Single Turn (ECI 1319 FS)

Connection type :

D - Single cable, power & signal combined 90° rotatable 4G2.5 + 2x 0.5

Section des fils :

- 1 - Power
- 2 - 0V
- 3 - DATA
- 4 - DATA /
- 5 - CLK
- 6 - CLK /

- U - Phase U
- V - Phase V
- W - Phase W
- Screen

- B+ Brake +
- B- Brake -

