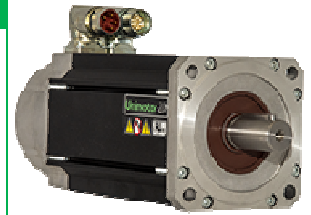


SERVO MOTOR 115UDD300BACAA



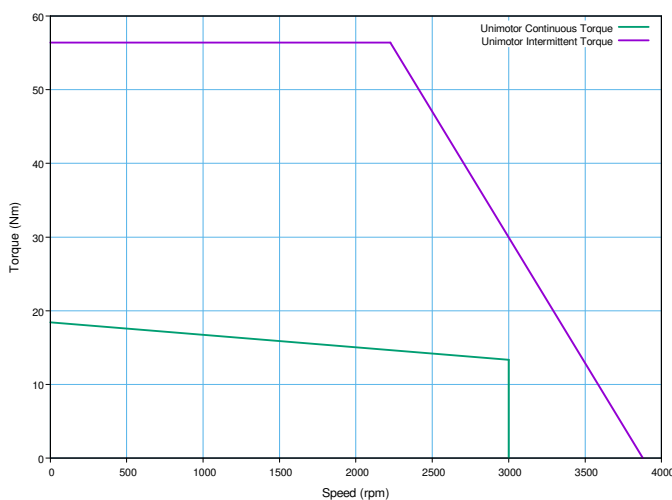
Definition

Type	Unimotor HD	
Frame Size (mm)	115	
Voltage	U	U - 400V
Magnet type	D	D - High dynamic
Frame Length	D	
Speed (min-1)	30	3000
Brake	0	Unbraked (0)
Connection type	B	B - Power and Signal 90° rotatable
Output shaft	A	
Feedback device code	CA	CA - 4096 ppr Incremental encoder (CFS50)
Inertia & thermistor	A	
PCD	130	130 (FF 130 / 110)
Shaft Diameter	240	24j6 x 50,0 .
Fan box	-	
Classe d'isolation	F	
UL Motor / UL Stator	UL Motor / UL Stator	

Nominal characteristics

Motor Ambient Temperature (°C)	40	Drive Fsw (kHz)	12
Motor Stall Torque (N.m)	18,80	Stall Current (A)	11,75
Rated Torque (N.m)	13,60	Rated Current (A)	8,5
Motor Peak Torque (N.m)	56,40	Peak Current for Drive Selection (A)	35,25
Rated Power (kW)	4,27	Kt (Nm/A)	1,60
Winding Thermal Time Constant (s)	175	Ke (V/kmin-1)	98,00
Number of Poles	10	R (ph-ph) (Ohm)	0,78
Maximum Cogging (N.m)	0,28	L (ph-ph) (mH)	8,70
Inertia (kg.cm ²)	8,38	Peso del prodotto	11,07
Ingress Protection Level (IP)	IP65		

Torque / speed graph

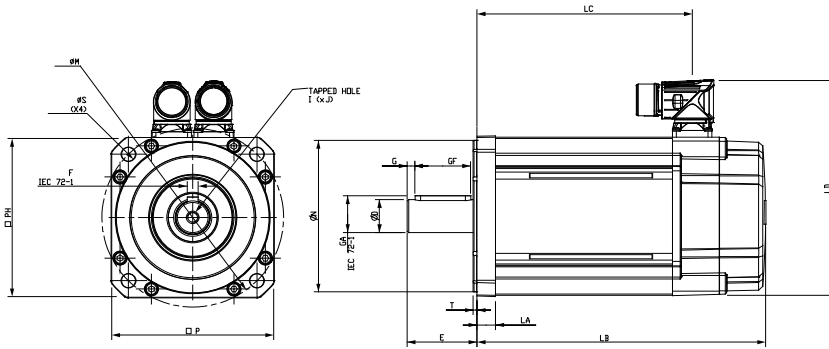


Configured characteristics

Motor Ambient Temperature (°C)	40
Drive Fsw (kHz)	8
Derating Factor	0,98
Stall Torque with Derating Factor (N.m)	18,42
Nominal Torque after Derating (N.m)	13,33
Peak Torque with Derating Factor (N.m)	56,40

SERVO MOTOR 115UDD300BACAA - Unimotor HD 115UDD300BACAA

Motor (° & mm)



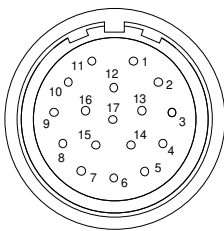
LB	Total length	266,80
LB1		
LC	Power connector position	214,00
LJ		
LA	Flange thickness	13,2
T	Register Length	2,7
N	Register Diameter	110,0
LD	Power connector overall height	156,50
LD1		
P	Flange Square	116,0
S	Fixing Hole Diameter	10,0
M	Fixing hole PCD	130
PH	Motor Housing Width	115
D	Shaft Diameter	24j6
E	Shaft Length	50,0
GA	Key Height	27,0
GF	Key Length	40,0
G	Key to Shaft End	5,3
F	Key Width	8
I	Tapped Hole Thread Size	M8x1,25
J	Tapped Hole Depth	20,0
	Mounting Bolt	M8

Motor electrical interface

Feedback device code : CA - 4096 ppr Incremental encoder (CFS50)

Connection type :
Section des fils :

B - Power and Signal 90° rotatable
4G2.5



1 - CTP	10 - A
2 - CTP	11 - Index
3 -	12 - Index /
4 - S1	13 - A /
5 - S1 /	14 - B
6 - S2	15 - B /
7 - S2 /	16 - Power
8 - S3	17 - 0V
9 - S3 /	Screen

U - Phase U
V - Phase V
W - Phase W
Screen

B+ Brake +
B- Brake -

