

### SERVO MOTOR 190U3C205JACAB215320



#### Definition

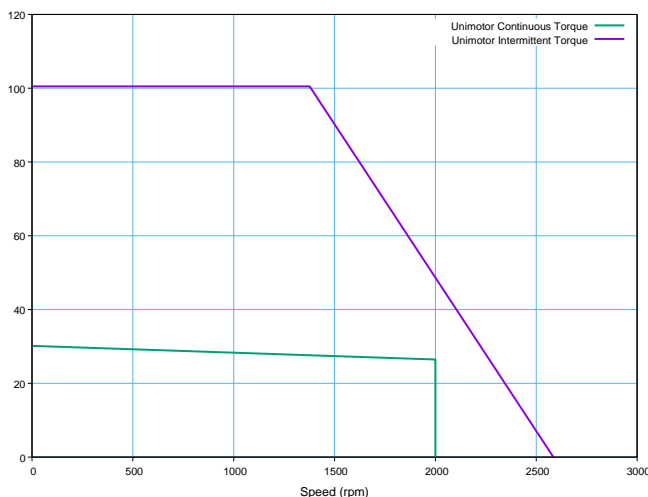
Type	<b>Unimotor FM</b>	
Frame Size (mm)	<b>190</b>	
Voltage	<b>U</b>	U - 400V
Magnet type	<b>3</b>	3 - Standard
Frame Length	<b>C</b>	
Speed (min-1)	<b>20</b>	2000
Brake	<b>5</b>	Braked (5)
Connection type	<b>J</b> J - Power and Signal 90° rotatable - Size 1.5	
Output shaft	<b>A</b>	Key
Feedback device code	<b>CA</b>	CA - 4096 ppr Incremental encoder (CFS50)
Inertia & thermistor	<b>B</b>	A - Standard
PCD	<b>215</b>	215 (FF 215 / 180)
Shaft Diameter	<b>320</b>	32k6 x 58,0 .
Fan box	<b>-</b>	
Classe d'isolation	<b>F</b>	
UL Motor / UL Stator	<b>UL Motor / UL Stator</b>	

#### Nominal characteristics

Motor Ambient Temperature (°C)	40	Drive Fsw (kHz)	12
Motor Stall Torque (N.m)	33,50	Stall Current (A)	14,00
Rated Torque (N.m)	29,40	Rated Current (A)	12,3
Motor Peak Torque (N.m)	100,50	Peak Current for Drive Selection (A)	41,88
Rated Power (kW)	6,15	Kt (Nm/A)	2,40
Winding Thermal Time Constant (s)	215	Ke (V/kmin-1)	147,00
Number of Poles	8	R (ph-ph) (Ohm)	0,83
Maximum Cogging (N.m)	0.49	L (ph-ph) (mH)	15,00
Inertia (kg.cm <sup>2</sup> )	106.8	Peso del prodotto	27,99
Ingress Protection Level (IP)	IP65		

Brake	<b>Braked (5)</b>	Static Torque (N.m)	42,0
Release Time (ms)	95	Backlash (°)	0,77
Brake Supply Voltage (V)	24	Brake Coil Power (W)	25,0

#### Torque / speed graph

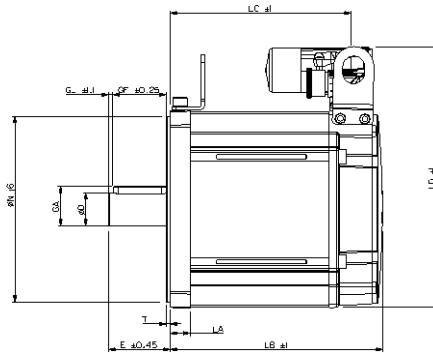
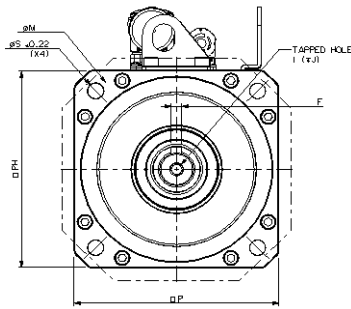


#### Configured characteristics

Motor Ambient Temperature (°C)	40
Drive Fsw (kHz)	8
Derating Factor	0,90
Stall Torque with Derating Factor (N.m)	30,15
Nominal Torque after Derating (N.m)	26,46
Peak Torque with Derating Factor (N.m)	100,50

### SERVO MOTOR 190U3C205JACAB215320 - Unimotor FM 190U3C205JACAB215320

#### Motor (° & mm)



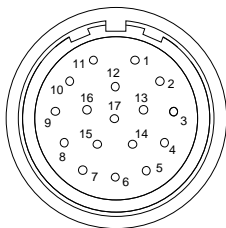
LB	Total length	349,40
LB1		
LC	Power connector position	319,60
LJ		
LA	Flange thickness	18,5
T	Register Length	3,9
N	Register Diameter	180,0
LD	Power connector overall height	252,50
LD1		
P	Flange Square	190,3
S	Fixing Hole Diameter	14,5
M	Fixing hole PCD	215
PH	Motor Housing Width	190
D	Shaft Diameter	32k6
E	Shaft Length	58,0
GA	Key Height	35,0
GF	Key Length	50,0
G	Key to Shaft End	4,6
F	Key Width	10
I	Tapped Hole Thread Size	M12x1,75
J	Tapped Hole Depth	29,0
	Mounting Bolt	M12

#### Motor electrical interface

Feedback device code : CA - 4096 ppr Incremental encoder (CFS50)

Connection type : J - Power and Signal 90° rotatable - Size 1.5

Section des fils : 4G2.5 + 2x 0.5



- |          |              |
|----------|--------------|
| 1 - CTP  | 10 - A       |
| 2 - CTP  | 11 - Index   |
| 3 -      | 12 - Index / |
| 4 - S1   | 13 - A /     |
| 5 - S1 / | 14 - B       |
| 6 - S2   | 15 - B /     |
| 7 - S2 / | 16 - Power   |
| 8 - S3   | 17 - 0V      |
| 9 - S3 / | Screen       |

- U - Phase U
- V - Phase V
- W - Phase W
- Screen

- B+ Brake +
- B- Brake -

