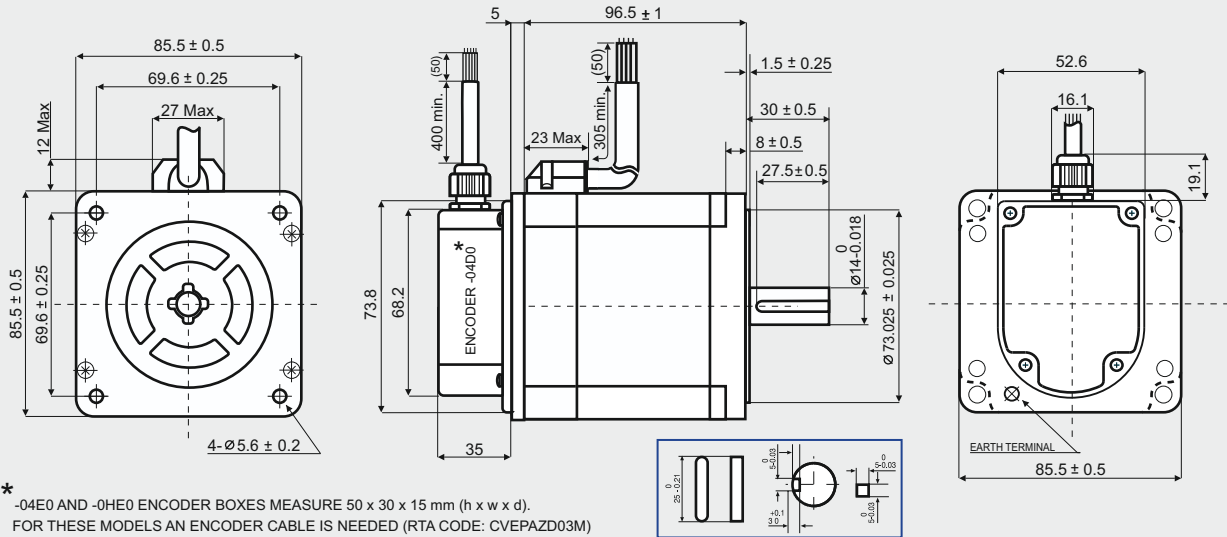


# EM 3F2H-OXXO

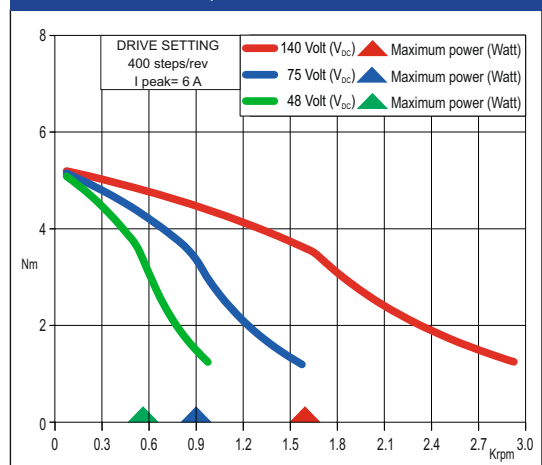
## Dimensions (Unit:mm)



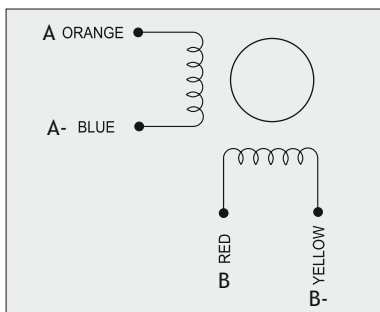
## SANYO DENKI MOTOR FEATURES

MODEL	EM 3F2H-OXXO
SANYO DENKI MOTOR CODE	SM 2862-5225
BASIC STEP ANGLE	1.8° ± 0.09°
BIPOLAR PARALLEL CURRENT (A)	6.0
RESISTANCE (Ohm)	0.36
INDUCTANCE (mH)	2.8
BIPOLAR HOLDING TORQUE (Ncm)	700
ROTOR INERTIA (Kg·m <sup>2</sup> × 10 <sup>-7</sup> )	3000
THEORETICAL ACCELERATION (rad × sec. <sup>-2</sup> )	23300
BACK E.M.F. (V/Krpm)	120
MASS (Kg)	2.9
INTERNATIONAL STANDARDS	UL, CSA
INSULATION VOLTAGE (V)	250 VAC (350 VDC)
PROTECTION DEGREE - INSULATION CLASS	IP43 - F
LEADS CODE	V

## TORQUE/SPEED CURVE



ENCODER OPTIONS:	EM 3F2H-04D0	EM 3F2H-04E0 *	EM 3F2H-0HE0 *
RESOLUTION	400 cpr	400 cpr	4000 cpr
INDEX	No	Yes	Yes
CURRENT CONSUMPTION (mA)	50	50	85
HIGH LEVEL OUTPUT (Volt)	5 (TIP) - 4.75 (MIN) (I <sub>max</sub> =25mA)	3.4 (TIP) - 2.4 (MIN) (I <sub>max</sub> =20mA)	3.4 (TIP) - 2.4 (MIN) (I <sub>max</sub> =20mA)
LOW LEVEL OUTPUT (Volt)	0.25 (TIP) - 0.6 (MAX) (I <sub>max</sub> =25mA)	0.2 (TIP) - 0.4 (MAX) (I <sub>max</sub> =20mA)	0.2 (TIP) - 0.4 (MAX) (I <sub>max</sub> =20mA)
OUTPUT SIGNAL	Differential	Differential	Differential
MAXIMUM FREQUENCY (KHz)	100	100	720
POWER SUPPLY VOLTAGE (Volt)	5 V <sub>DC</sub> ± 10%	5 V <sub>DC</sub> ± 10%	5 V <sub>DC</sub> ± 10%



## ENCODER CABLE / ENCODER PIN OUT

DESCRIPTION	04D0	04E0 PINS	0HE0 PINS
CHANNEL A+	● BLUE	6 ● GREEN	6 ● GREEN
CHANNEL A-	● BROWN	5 ● PURPLE	5 ● PURPLE
CHANNEL B+	● GREEN	8 ● BLUE	8 ● BLUE
CHANNEL B-	● PURPLE	7 ● BROWN	7 ● BROWN
+ DC (5V)	● RED	2 ● RED	2 ● RED
GROUND	● BLACK	3 ● BLACK	3 ● BLACK
INDEX+	/	10 ● ORANGE	10 ● ORANGE
INDEX-	/	9 ○ WHITE	9 ○ WHITE

R.T.A. CABLE

CVEPAZD03M

CVEPAZD03M

Suggested R.T.A. drive series: NDC, ADW, HGD, PLUS



R.T.A. s.r.l.  
Via E. Mattei - Frazz. Divisa  
27020 Marcignago (PV) (Italy)  
T +39.0382.929.855  
F +39.0382.929.150  
www.rta.it

R.T.A. Deutschland GmbH  
Bublitzer Strasse 34, 40599  
Duesseldorf (Germany)  
T +49.211.749.668.60  
F +49.211.749.668.66  
www.rta-deutschland.de

R.T.A. IBERICA  
C/Generalitat 22, Local 1  
08850 Gava - Barcelona (Spain)  
T +34 936.388.805  
F +34 936.334.595  
www.rta-iberica.es

R.T.A. INDIA Pvt  
Teerth Business Center 3<sup>rd</sup> Floor, Unit No. 7,  
Block EL-15, MIDC Bhosari Pimpri-Chinchwad,  
Pune 411026 (India)  
Tel. +91 9422507445  
www.rta-india.in